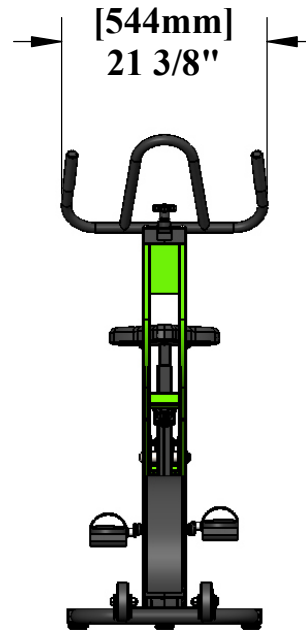
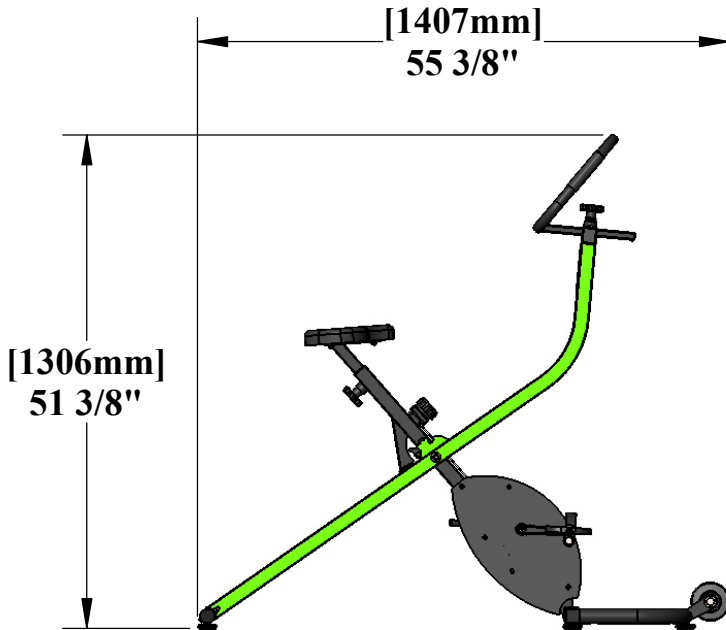


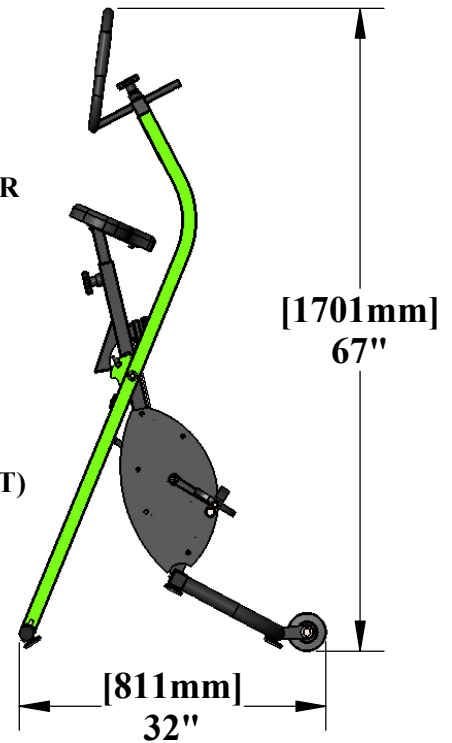
# TIDALWAVE POOL BIKE

PATENT PENDING



**SPECIFICATIONS:**

- FRAME: TYPE 304 & 316 STAINLESS STEEL**
- FINISH: POLYESTER POWDER COAT - BLACK WITH ACCENT COLOR**
- FLYWHEEL: 316 STAINLESS STEEL**
- CRANK: STAINLESS STEEL ROD WITH BRONZE BUSHINGS**
- STORAGE: QUICK-FLIP LATCH FOR EASY STORAGE**
- SEAT: 5 HEIGHT ADJUSTMENT SETTINGS**
- POOL DEPTH: 3-5 FEET(0.9-1.5 METERS) FOR OPTIMAL USE**
- WEIGHT: 55LBS (25kg)**
- WEIGHT CAPACITY: 300LBS (136kg)**
- WARRANTY: 3 YEARS FOR FRAME (NOT INCLUDING POWDER COAT)  
1 YEAR FOR PARTS & TRANSMISSION**



9889 GARRYMORE LANE  
MISSOULA, MT 59808  
(406) 549-0769  
FAX (406) 549-2602

NOTE:  
\*SPECIFICATIONS ARE SUBJECT TO CHANGE WITHOUT NOTICE

PRODUCT:		TIDALWAVE	
PART #:		F-TWPB-01	
SCALE:	1:20	DATE:	3/6/2017
DRAWN BY:	KR	REVISION:	A