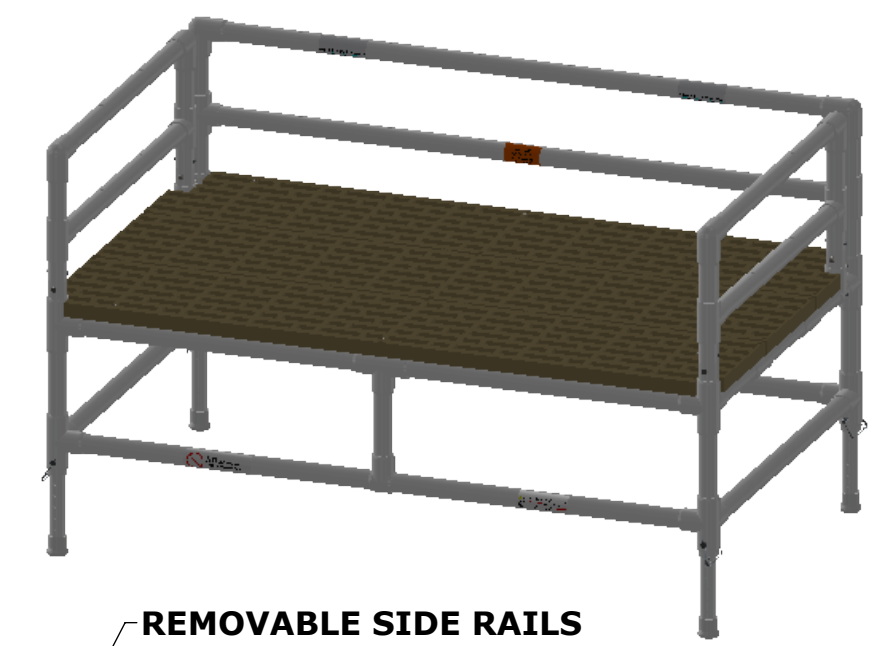
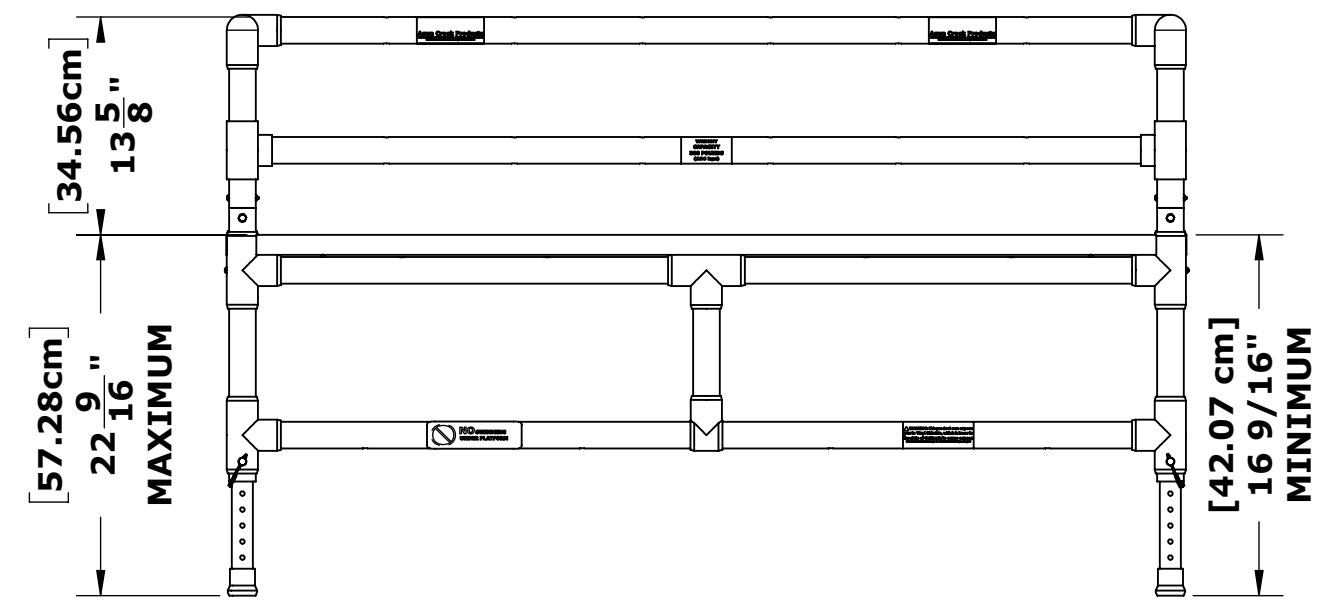
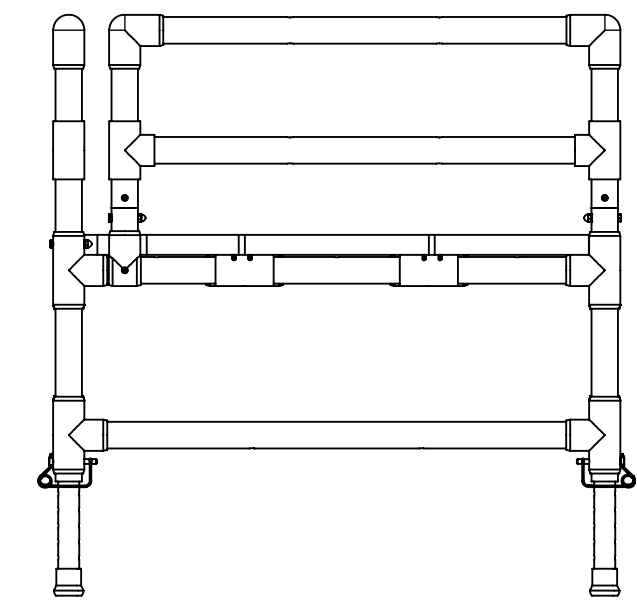
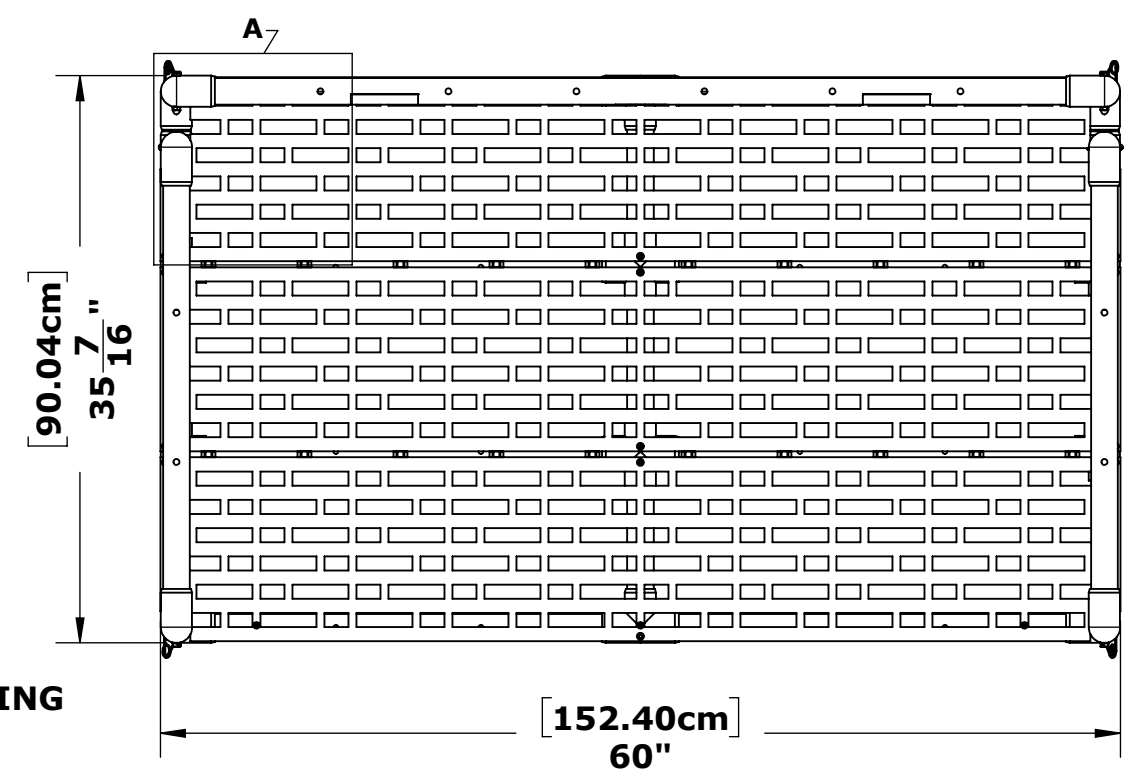


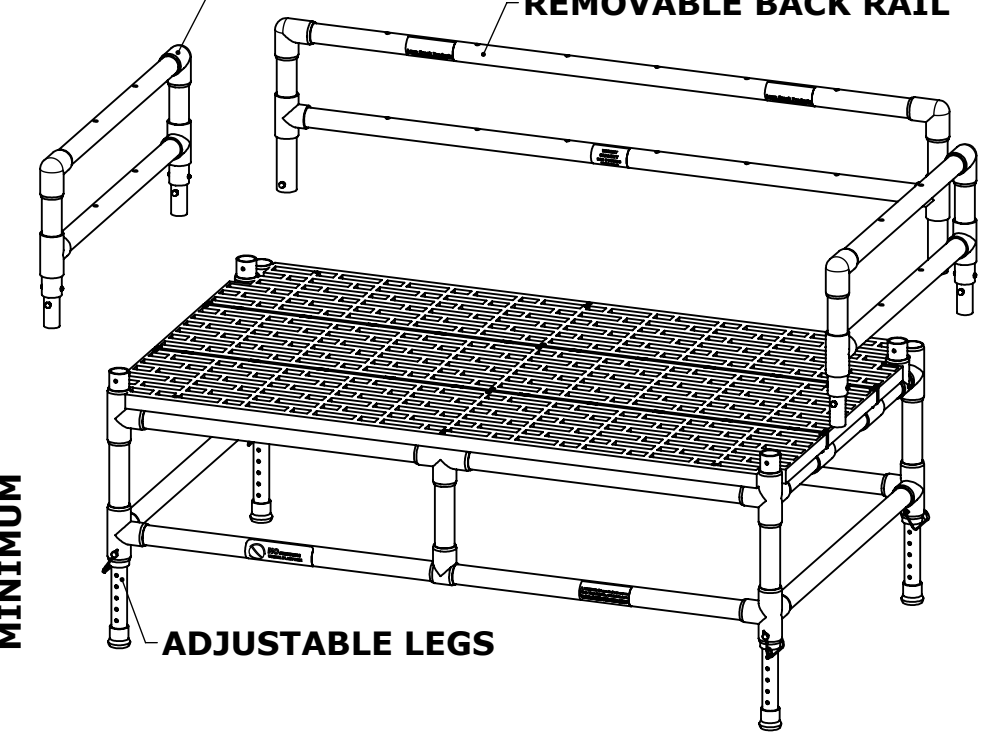
DETAIL A
SCALE 1 : 4

NON-SLIP DECKING



REMOVABLE SIDE RAILS

REMOVABLE BACK RAIL



ADJUSTABLE LEGS

SPECIFICATIONS:
WEIGHT CAPACITY: 300LBS [136KG]
MATERIALS: FRAME - MEDICAL GRADE PVC
DECKING - POLYPROPYLENE
HARDWARE: TYPE 316 & 18-8 STAINLESS STEEL

TOLERANCES
 DIMENSIONS ARE IN INCHES
 UNLESS OTHERWISE SHOWN
 FRACTIONAL: ±1/16
 ANGULAR: ±1°
 TWO PLACE DECIMAL: ±.01
 THREE PLACE DECIMAL: .. ±.005

TRAINING - SWIM PLATFORM

ITEM NO. F-250TTP
PART NO. INV02348

MATERIAL: MEDICAL GRADE PVC
FINISH: WHITE
APPROX. WEIGHT: 82.46 LBS.



9889 GARRYMORE LANE
MISSOULA, MT 59808
(406) 549-0769
FAX (406) 549-2602
www.AquaCreek.com

PROPRIETARY AND CONFIDENTIAL INFORMATION

THIS DRAWING AND ALL INFORMATION CONTAINED HEREIN IS THE SOLE PROPERTY OF AQUA CREEK PRODUCTS LLC. ANY REPRODUCTION IN PART OR AS A WHOLE WITHOUT WRITTEN PERMISSION FROM AQUA CREEK IS PROHIBITED.

*SPECIFICATIONS ARE SUBJECT TO CHANGE WITHOUT NOTICE

REVISIONS			
REV.	DESCRIPTION	DATE	APPROVED
P1	PRODUCTION RELEASE	6/16/2021	J.MAXWELL