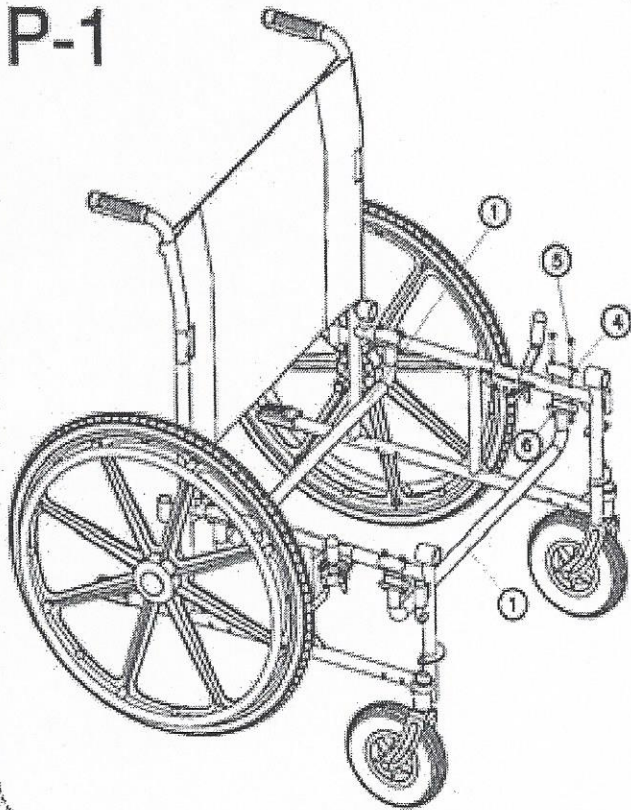


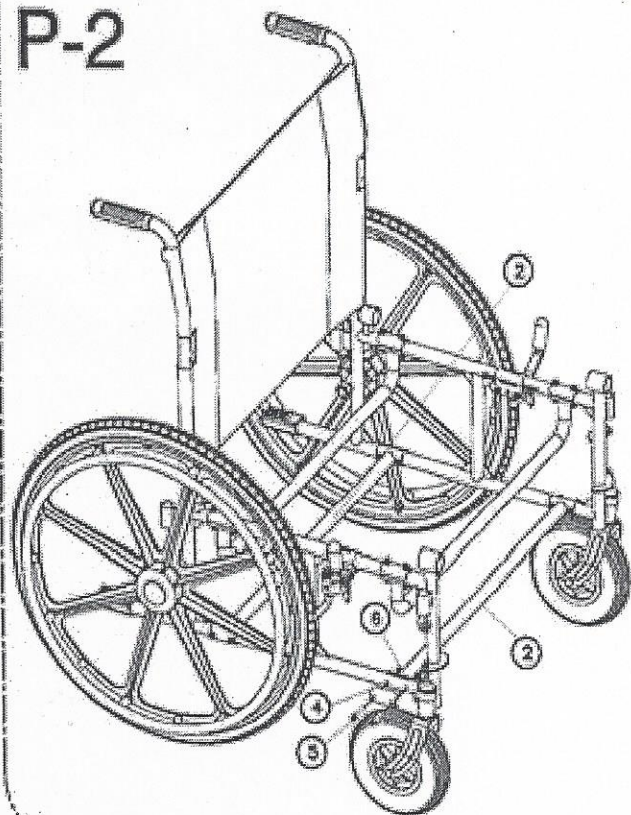
P-1



P-1

Assemble 2 upper crossbraces (#1) to side frames using 4 U brackets (#4) using 8 each of (#5) screw and (#6) nut. Use provided wrench snug up bolts, but do not tighten.

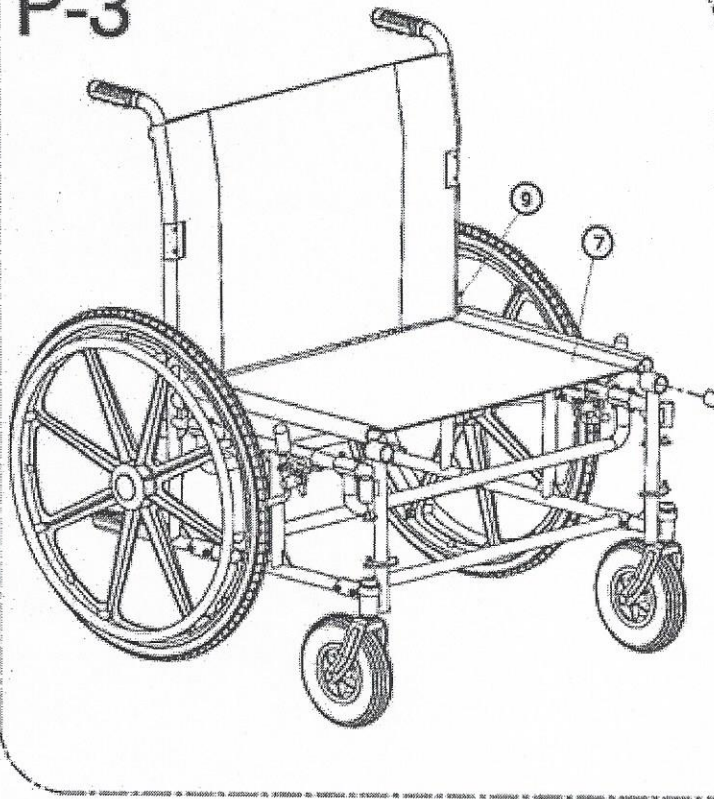
P-2



P-2

Assemble 2 lower crossbraces (#2) to side frames using 4 U brackets (#4) using 8 each of (#5) screw and (#6) nut. Use provided wrench snug up bolts, but do not tighten.

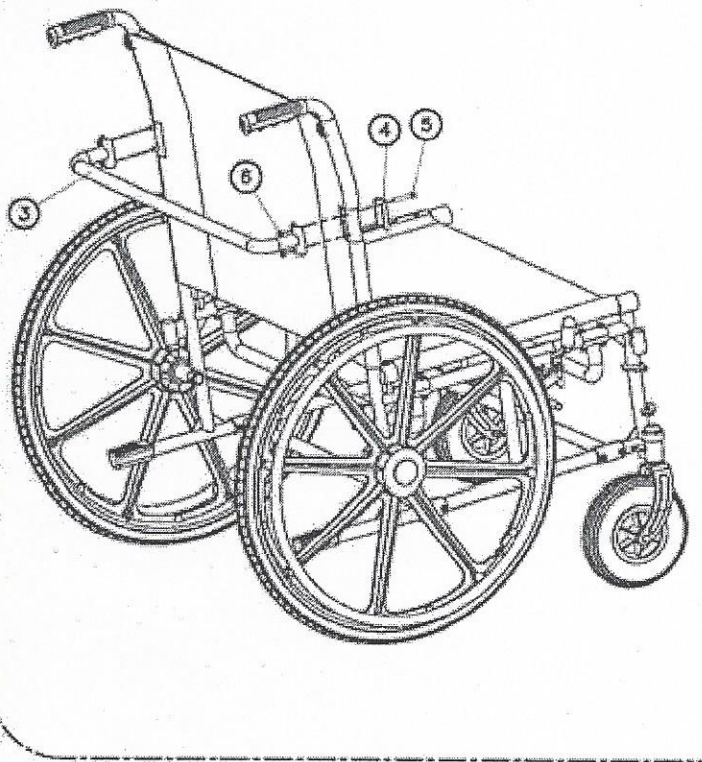
P-3



P-3

Unfold seat upholstery (#7), making sure the stitching is on the bottom, take 2 insert tubes (#8) and slide through the front posts, through the seat, and into the bracket on the rear post. Using 2 of screw (#9), one on each side, insert screw into hole on rear post bracket and seat insert tube and tighten.

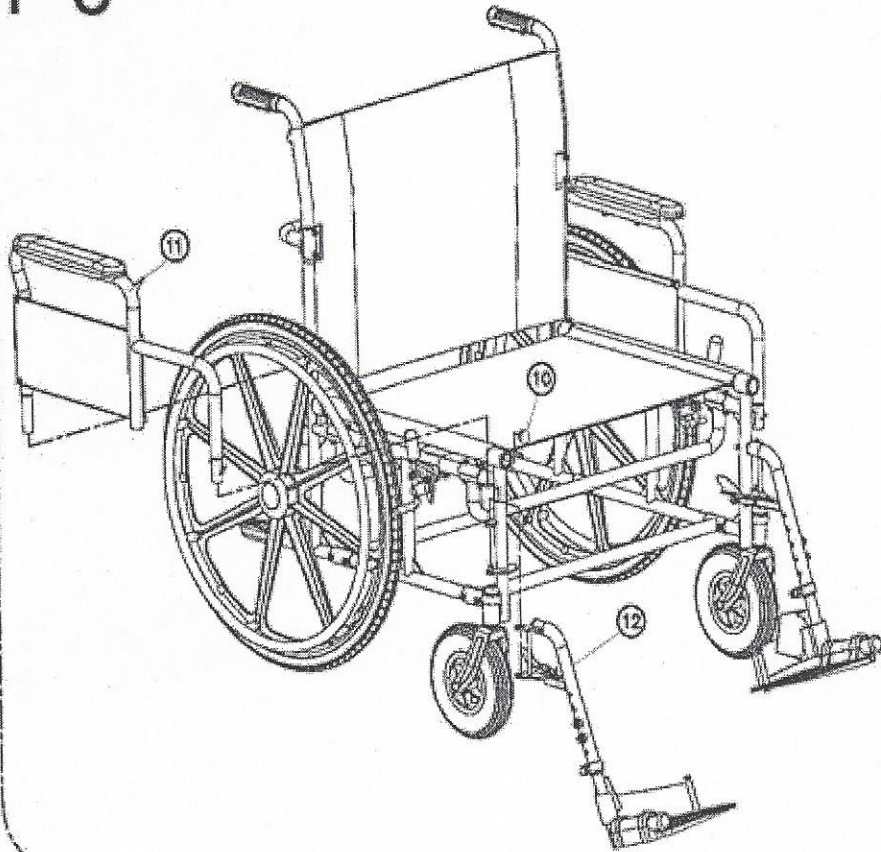
P-4



P-4

Assemble the rear crossbrace / pushrail (#3) to side frames using 2 U brackets (#4) using 4 each of (#5) screw and (#6) nut. Use provided wrench snug up bolts, but do not tighten.

P-5



P-5

Assemble left and right detachable desk length arm assemblies, and hang the detachable footrests on the front pins. The height can be adjusted to user requirement if needed. Black plastic plug, (#10) 2 pieces, insert into the front of the seat tubes. These will need to be tapped in with a plastic hammer. Place wheelchair on level surface and tighten all screws and nuts. Check operation of brakes to ensure that there is smooth operation and factory adjustment positively locks the rear wheels for transfer.