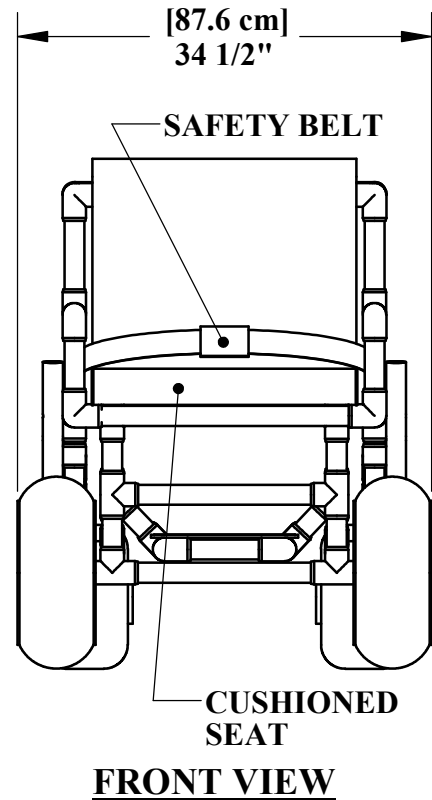
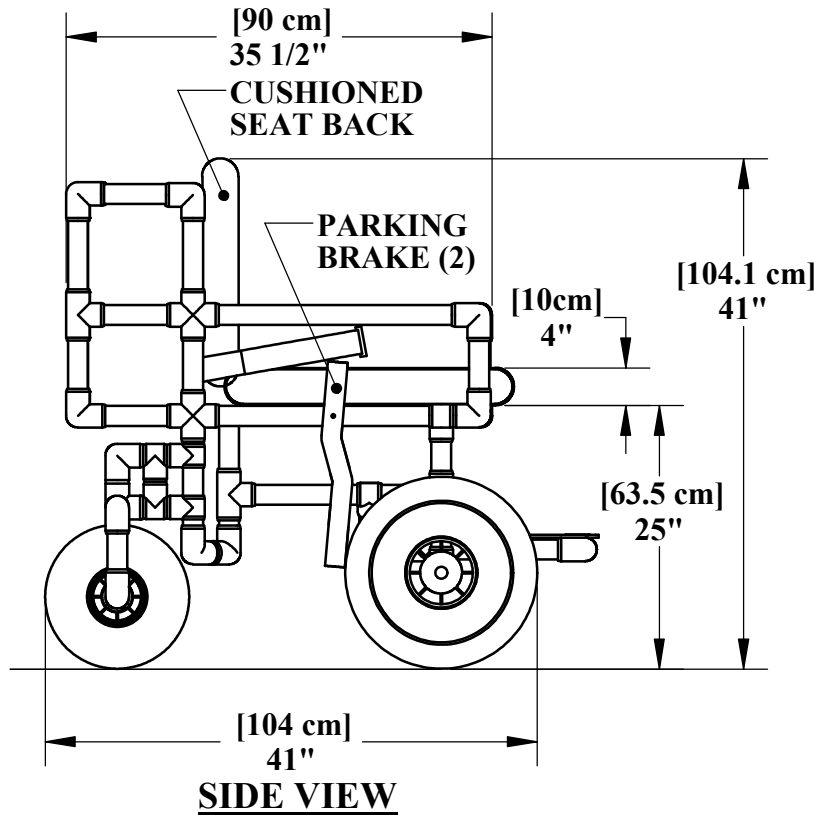
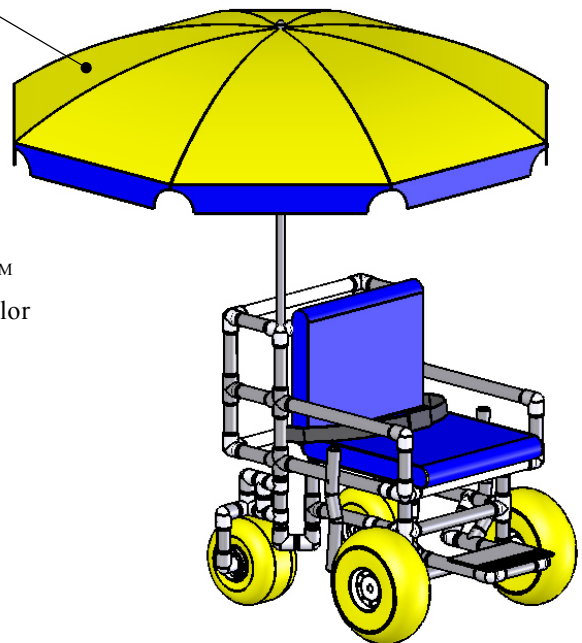


BEACH ACCESS CHAIR



6 FOOT [183 cm] 8 PANEL UMBRELLA



SPECIFICATIONS

- Overall Dimensions: 41" High x 34 1/2" Wide x 41" Deep (104cm x 88cm x 104cm)
- Frame Material: 1 1/4" OD Schedule 10 Furniture Grade PVC
- Weight Capacity: 250 lbs (113kg)
- Tires & Wheels:
 - Front large tires: 19" Dia (49cm) gray non-corrosive Wheel-eez™
 - Rear articulated tires: 15" Dia (39cm) gray non-corrosive Wheel-eez™
- Seat: 22" wide cushioned (approx. 3"-4" thick) (standard blue mesh but color may vary)
- Seat Height: 25" (64cm)
- Umbrella: 6' diameter (183cm), 8 panel (color may vary)
- Footrest: Sliding
- Brakes: Dual action lever
- Rear Storage: Mesh bag included (standard blue mesh but color may vary)
- Seat Belt: 2" wide hook & loop fastener
- Assembly: Disassembles into three pieces for ease of transport
- Shipping Dimensions: 48" x 48" x 48" (122cm x 122cm x 122cm)
- Shipping Weight: 160 lbs (73kg)
- Ships Via: LTL Truck



9889 GARRY MORE LANE
 MISSOULA, MT 59808
 (406) 549-0769
 FAX (406) 549-2602

NOTE:

*SPECIFICATIONS ARE SUBJECT TO CHANGE WITHOUT NOTICE
 *ALL DIMENSIONS ARE IN INCHES

PRODUCT:		F-014BAC	
DWG #:		F-014BAC-1	
SCALE:	1:16	DATE:	12/14/2016
DRAWN BY:	KR	REVISION:	E